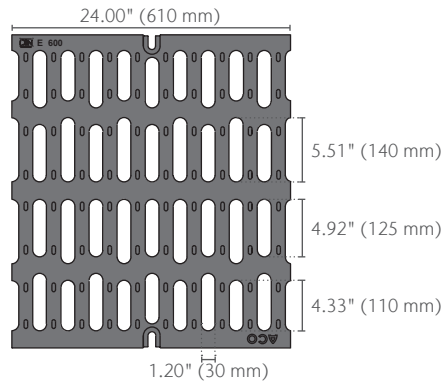


# F880 Slotted Ductile Iron Grate Spec Sheet



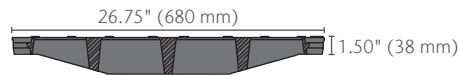
Top



Side



Front



| Product Name                                       | Part No.     | Length in (mm) | Width in (mm) | Weight lbs |
|--|--------------|----------------|---------------|------------|
| F880 Slotted Ductile Iron Grate                    | <b>97453</b> | 24.00 (610)    | 26.75 (680)   | 206.0      |
| Replacement Stainless Steel Hex Head Bolts (Qty 2) | <b>93892</b> | -              | -             | 0.2        |

## Specification Summary

### General

The surface drainage system shall be ACO Drain F880 catch basin complete with ACO F880 Slotted Ductile Iron Grate with boltlocking as manufactured by ACO, Inc. or similar approved.

### Grates

Grate is slotted ductile iron. Ductile iron ASTM 536 - Grade 80-55-06. After removal of the grates there shall be uninterrupted access to the trench to aid maintenance.

### Installation

The trench drain system and grates shall be installed in accordance with the manufacturer's installation instructions and recommendations.

### Materials

The covers shall be manufactured from ductile iron and have minimum properties as follows:

- Ductile iron to ASTM 536 - Grade 80-55-06.
- Intake area of 226 in<sup>2</sup> (1,458.1 cm<sup>2</sup>) per 24" of grate.

The overall width of 26.75" (680 mm) and overall length of 24.00" (610 mm). Slots measure 5.51" (140 mm) by 1.20" (30 mm), 4.33" (110 mm) by 1.20" (30 mm) and 4.92" (125 mm) by 1.20" (30 mm).



Australian Standard AS 3996 - 2006 Clause 3.3.6:  
max slot length dependent on slot width for grates that are deemed Bicycle Tire Penetration Resistant.

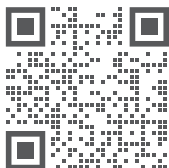


EN1433 Load Class E  
134,885 lbs – 2,785 psi

## ACO, Inc.

© January 2026 ACO, Inc.

All reasonable care has been taken in compiling the information in this document. All recommendations and suggestions on the use of ACO products are made without guarantee since the conditions of use are beyond the control of the company. It is the customer's responsibility to ensure that each product is fit for its intended purpose and that the actual conditions of use are suitable. ACO, Inc. reserves the right to change products and specifications without notice.



info@acousa.com  
www.acousa.com

